

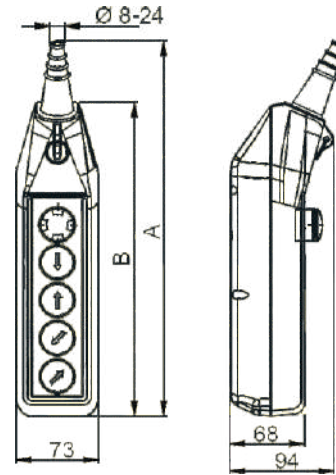
# DEUS RRC PVT. LTD.



*Leading manufacturer of SNT Radio Remote Control Systems & other Crane Control Equipments.*

- Plot No.4319, G.I.D.C, Vatva, Phase IV, Ahmedabad - 382445, Tel: 079-25841148, E-mail:sales@sntrrc.com
- 120, Acharya Ind. Estate, Tejpal Compound, Andheri-kurla Road, Sakinaka, Mumbai-400 072  
Tel. : +91 7506507534 / 9821092946 E-mail: mail@sntrrc.com

# DEUS - SNT Pendant Push Button



## Range :- From 5 to 12 Buttons

### PB 05 Push Buttons : 4 + 1 Single Speed

Description : 4 Push Button with 1 NO Contact  
+ 1 Emergency Stop with 1 NC Contact

### PB 07 Push Buttons : 6 + 1 Single Speed

Description : 6 Push Button with 1 NO Contact  
+ 1 Emergency Stop with 1 NC Contact

### PB 08 Push Buttons : 6 + 2 Single Speed

Description : 6 Push Button with 1 NO Contact  
+ 1 Emergency Stop with 1 NC Contact  
+ 1 Start / Alarm with 2 NO Contact

### PB 10 Push Buttons : 8 + 2 Single Speed

Description : 8 Push Button with 1 NO Contact  
+ 1 Emergency Stop with 1 NC Contact  
+ 1 Start / Alarm with 2 NO Contact

### PB 12 Push Buttons : 10 + 2 Single Speed

Description : 10 Push Button with 1 NO Contact  
+ 1 Emergency Stop with 1 NC Contact  
+ 1 Start / Alarm with 2 NO Contact

### PB 05/D Push Buttons : 4 + 1 Dual Speed

Description : 4 Push Button with 2 NO Contact  
+ 1 Emergency Stop with 1 NC Contact

### PB 07/D Push Buttons : 6 + 1 Dual Speed

Description : 6 Push Button with 2 NO Contact  
+ 1 Emergency Stop with 1 NC Contact

### PB 08/D Push Buttons : 6 + 2 Dual Speed

Description : 6 Push Button with 2 NO Contact  
+ 1 Emergency Stop with 1 NC Contact  
+ 1 Start / Alarm with 2 NO Contact

### PB 10/D Push Buttons : 8 + 2 Dual Speed

Description : 8 Push Button with 2 NO Contact  
+ 1 Emergency Stop with 1 NC Contact  
+ 1 Start / Alarm with 2 NO Contact

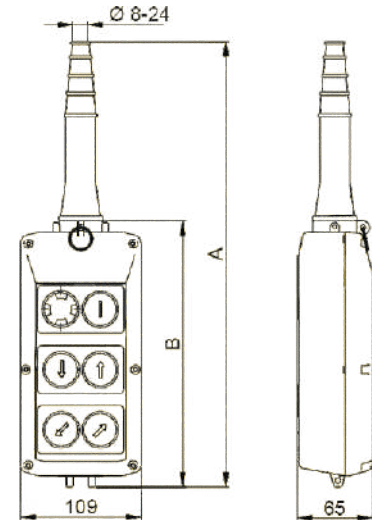
### PB 12/D Push Buttons : 10 + 2 Dual Speed

Description : 10 Push Button with 2 NO Contact  
+ 1 Emergency Stop with 1 NC Contact  
+ 1 Start / Alarm with 2 NO Contact

## DIMENSIONS

Push Buttons	Reference No.	A mm	B mm
5	PB 5 (Buttons)	345	288
7	PB 7 ( 7 Buttons)	495	358
8	PB 8 ( 8 Buttons)	530	393
10	PB 10 ( 10 Buttons)	640	463
12	PB 12 ( 12 Buttons)	710	533

# DEUS - SNT Pendant Push Button



## Range :- From 6 to 14 Buttons

### PBR 06 Push Buttons : 4 + 2 Single Speed

Description : 4 Push Button with 1 NO Contact  
 + 1 Emergency Stop with 1 NC Contact  
 + 1 Start / Alarm with 2 NO Contact

### PBR 08 Push Buttons : 6 + 2 Single Speed

Description : 6 Push Button with 1 NO Contact  
 + 1 Emergency Stop with 1 NC Contact  
 + 1 Start / Alarm with 2 NO Contact

### PBR 10 Push Buttons : 8 + 2 Single Speed

Description : 8 Push Button with 1 NO Contact  
 + 1 Emergency Stop with 1 NC Contact  
 + 1 Start / Alarm with 2 NO Contact

### PBR 12 Push Buttons : 10 + 2 Single Speed

Description : 10 Push Button with 1 NO Contact  
 + 1 Emergency Stop with 1 NC Contact  
 + 1 Start / Alarm with 2 NO Contact

### PBR 14 Push Buttons : 12 + 2 Single Speed

Description : 12 Push Button with 1 NO Contact  
 + 1 Emergency Stop with 1 NC Contact  
 + 1 Start / Alarm with 2 NO Contact

### PBR 06/D Push Buttons : 4 + 2 Dual Speed

Description : 4 Push Button with 2 NO Contact  
 + 1 Emergency Stop with 1 NC Contact  
 + 1 Start / Alarm with 2 NO Contact

### PBR 08/D Push Buttons : 6 + 2 Dual Speed

Description : 6 Push Button with 2 NO Contact  
 + 1 Emergency Stop with 1 NC Contact  
 + 1 Start / Alarm with 2 NO Contact

### PBR 10/D Push Buttons : 8 + 2 Dual Speed

Description : 8 Push Button with 2 NO Contact  
 + 1 Emergency Stop with 1 NC Contact  
 + 1 Start / Alarm with 2 NO Contact

### PBR 12/D Push Buttons : 10 + 2 Dual Speed

Description : 10 Push Button with 2 NO Contact  
 + 1 Emergency Stop with 1 NC Contact  
 + 1 Start / Alarm with 2 NO Contact

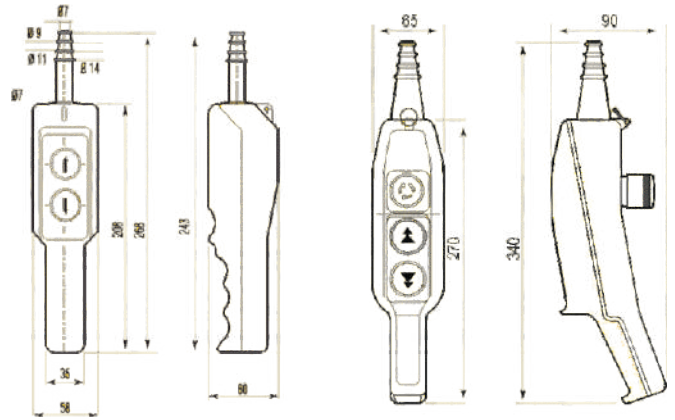
### PBR 14/D Push Buttons : 12 + 2 Dual Speed

Description : 12 Push Button with 2 NO Contact  
 + 1 Emergency Stop with 1 NC Contact  
 + 1 Start / Alarm with 2 NO Contact

## DIMENSIONS

Push Buttons	Reference No.	A mm	B mm
6	PBR 6 ( 6 Buttons)	399	239
8	PBR 8 ( 8 Buttons)	453	293
10	PBR 10 ( 10 Buttons)	547	347
12	PBR 12 ( 12 Buttons)	601	401
14	PBR 14 ( 14 Buttons)	655	455

# DEUS - SNT Pendant Push Button



## Range :- 2 & 3 Buttons

**PB 02 Push Buttons : 2 Single Speed**  
 Description : 2 Push Button with 1 NO Contact

**PB 02/D Push Buttons : 2 Dual Speed**  
 Description : 2 Push Button with 2 NO Contact

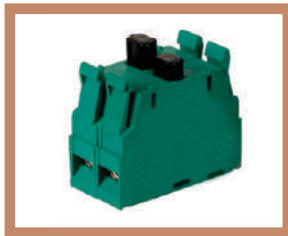
**PB 03 Push Buttons : 2 + 1 Single Speed**  
 Description : 2 Push Button with 1 NO Contact  
 + 1 Emergency Stop with 1 NC Contact

**PB 03/D Push Buttons : 2 + 1 Dual Speed**  
 Description : 2 Push Button with 2 NO Contact  
 + 1 Emergency Stop with 1 NC Contact

**SINGLE SPEED CONTACT BLOCK**



**MULTI SPEED CONTACT BLOCK**



**LAMP HOLDERS**



**INDICATING LAMP**



**KEY SWITCH**



**SELECTOR SWITCH**



**MUSHROOM OPERATOR**

Ø 30 TURN TO RELEASE EN 418



**START / ALARM**



# DEUS RRC PVT. LTD.

📍 PLOT No.4319, G.I.D.C, VATVA, PHASE IV, AHMEDABAD - 382445,  
 TEL: 079-25841148, E-MAIL: SALES@SNTRRC.COM

📍 120, ACHARYA IND. ESTATE, TEJPAL COMPOUND, ANDHERI-KURLA ROAD,  
 SAKINAKA, MUMBAI-400 072, E-MAIL: MAIL@SNTRRC.COM